

HARDWARE INCLUDED

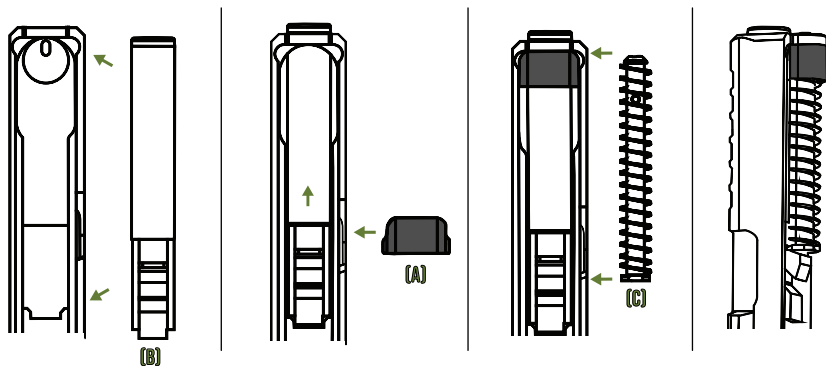
- 1 X ADAPTER (A)
- 1 X 19L BARREL (B)
- 1 X G19 RECOIL SPRING (C)

COMPATIBILITY NOTE

This slide adapter kit is compatible with G17 Gen3 slides. If you encounter any issues, please contact our support team for assistance. Your feedback is valuable as world-class customer service is our top priority.

DIRECTIONS

- 1) PLACE THE 19L BARREL (B) INTO THE G17 SLIDE AS YOU WOULD A NORMAL BARREL.
- 2) ORIENT THE ADAPTER (A) SUCH THAT THE NARROW ROUNDED PORTION IS FACING TOWARD THE MUZZLE AND THE WIDE FLAT SECTION IS FACING TOWARD THE BACKPLATE. PLACE THE NOTCHED SIDE DOWN AND INSERT THE ADAPTER INTO THE SLIDE-STOP CUTOUT NEAR THE CENTER OF THE SLIDE.
- 3) SLIDE THE ADAPTER (A) ALL THE WAY FORWARD TOWARDS THE MUZZLE SUCH THAT IT CONTACTS THE INSIDE WALL OF THE FRONT OF THE SLIDE.
- 4) PLACE THE G19 RECOIL SPRING ASSEMBLY (C) WITH THE SMALLER DIAMETER THROUGH THE HOLE IN THE ADAPTER, AND SEAT THE LARGER DIAMETER TOWARD THE CHAMBER OF THE BARREL (B) AS YOU WOULD WITH ANY OTHER SLIDE-BARREL ASSEMBLY.



NEED HELP?

Contact our excellent team of builders

support@80percentarms.com | (949) 354-2767
Message us via our live chat!

80 PERCENT ARMS
FORT WORTH, TX
WWW.80PERCENTARMS.COM

CONNECT WITH 80% ARMS



@80PERCENTARMS