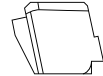


[A] GRIP BASE



[B] MAGAZINE INSERT



[C] SET SCREW



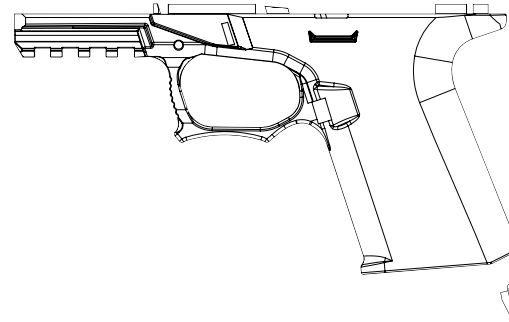
[D] FLAT HEAD SCREW



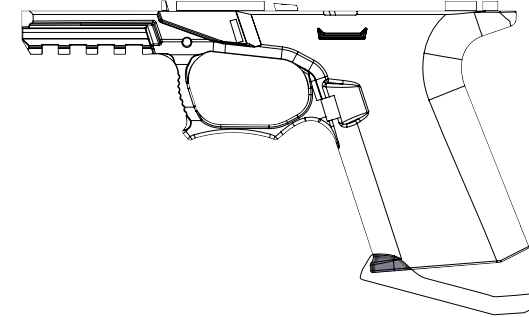
[E] HEX WRENCH



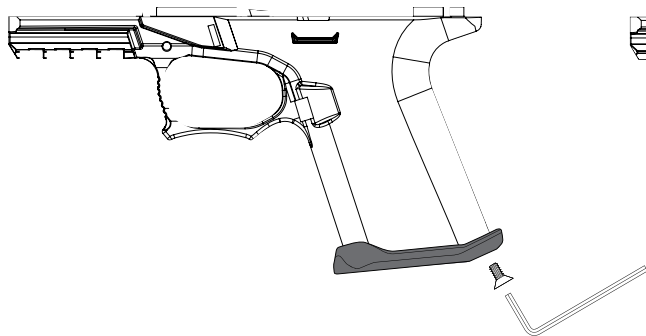
1. Use the Hex Wrench [E] to fully insert the Set Screw [C] into the larger threaded hole on the curved surface of the Magazine Insert [B] until it is either flush with or positioned below the surface.



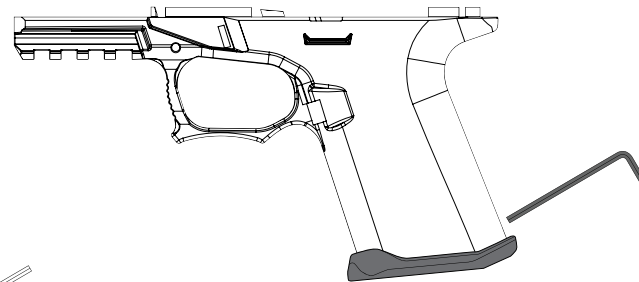
2. Install the Magazine Insert [B] into the grip cavity of your frame.



3. Secure the taller front section of the Magwell Body [A] by hooking its inner edge onto the "toe" at the front of your frame. Rock it backward to encompass both the frame and Magazine Insert [B], and apply firm pressure.



4. Attach the Magwell Body [A] to the Magazine Insert [B] by using the Flat Head Screw [D] and Hex Wrench [E] through the countersink in the angled section located towards the rear of the Magwell Body.



5. Use the Hex Wrench [E] and back out the Set Screw [C] until it is flush with the backstrap of the frame

